

Fiberglass 14"x12"x7" Weatherproof Enclosure and Mounting Plate

Model: NB141207-01

Applications and Features

Applications:

- Remote Wireless LAN WiFi equipment installations
- Indoor and outdoor installations
- Corrosive environments
- Hotspot applications
- Protection of equipment from theft or damage

Features:

- Molded fiberglass reinforced polyester enclosure
- Stainless steel quick release latches with padlock hasps
- Fully gasketed raised lid
- Integral mounting flange
- NEMA Type 4X / IP65 rated*
- Aluminum mounting plate
- Mounting plate can accommodate WLAN equipment from Cisco®, Symbol®, D-Link®, HyperLink and more..
- Optional universal equipment shelf and mounting brackets available
- Custom configurations are available



NB141207-01



Model: NB141207-01

Product Description

Start with the Box...

The box is a rugged weatherproof enclosure that is ideal for both indoor and outdoor applications. Constructed from molded fiberglass reinforced polyester, it is well suited for high temperature or corrosive environments. The mounting flange allows it to be wall mounted as well as on a flat surface. The raised lid features a stainless steel continuous hinge and stainless steel quick release latches with padlock hasps. The raised lid is fully gasketed. The enclosure material is UV stabilized and comes in machine tool gray.

Mounting Plate

The aluminum mounting plate included with the NB141207-01 has provisions to mount WLAN equipment from Cisco®, Symbol®, D-Link®, HyperLink and more (see mounting plate drawing). With the optional HGX-AMOUNT02 bracket a wide array of HyperLink Amplifiers, Power-Over-Ethernet products and Power Supplies can be mounted as well. Two of these brackets can be mounted

side by side. Also available is the HGX-NMOUNT03 Universal Mounting Shelf that can be attached to the mounting plate and can accommodate additional equipment to be placed in the enclosure. The enclosure also features holes for two N-Bulkhead Lightning Protectors or Connectors, a grounding lug and cable conduit connector.

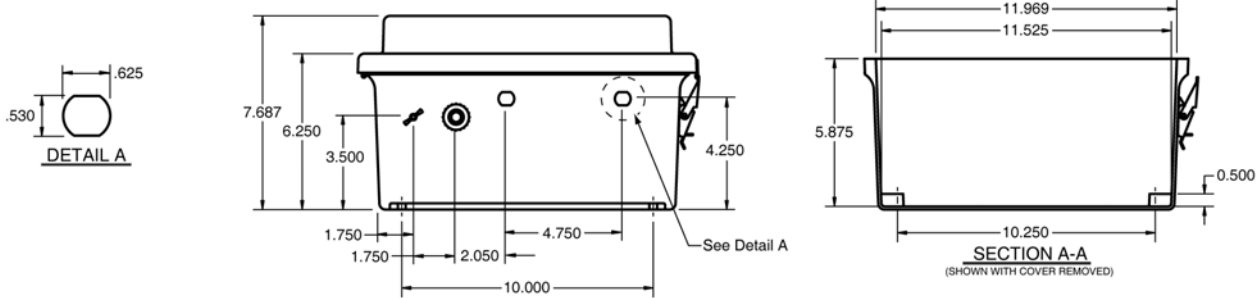
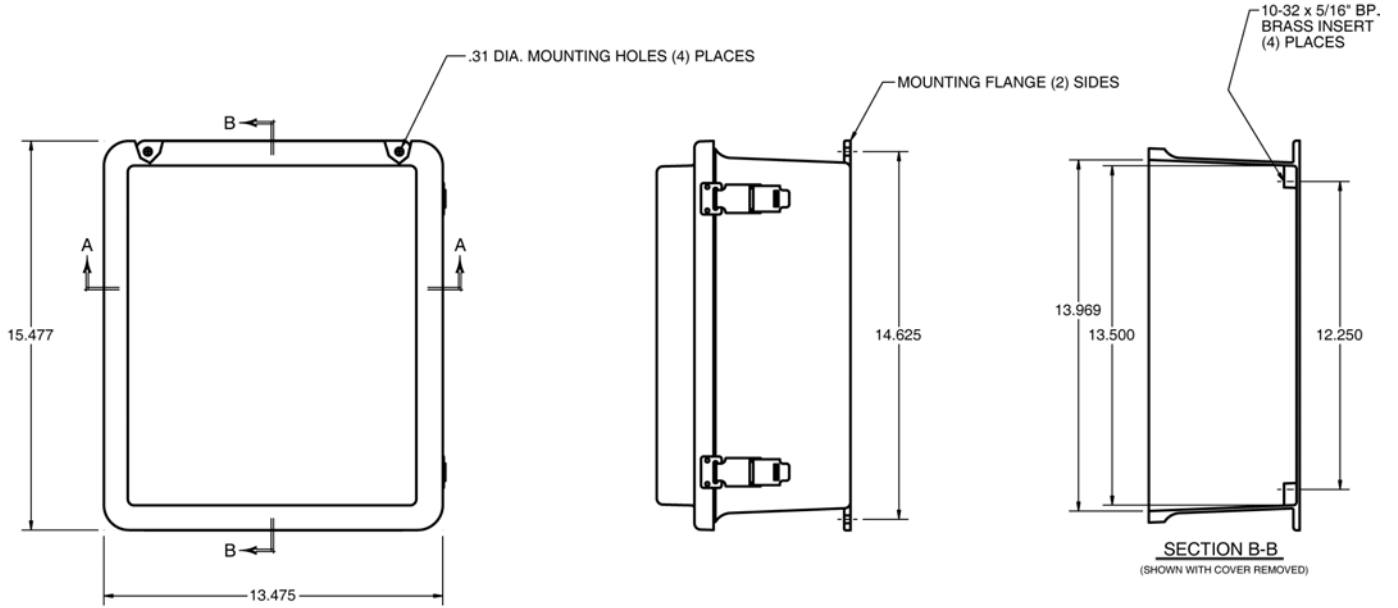
Specifications

Enclosure Material	Fiberglass Reinforced Polyester
Enclosure Color	Machine Tool Gray
Mounting Plate Material	.10" (2.5mm) Thick Anodized Aluminum
Mounting Plate Dimensions	12.7 x 10.8 inches (32.2 x 27.4 cm)
Weight	10.6 lbs (4.8 kg)
Outside Dimensions (max)	15.5 x 13.5 x 7.7 inches (39.3 x 34.2 x 19.5 cm)
Inside Dimensions	13.5 x 11.5 x 5.8 inches (34.3 x 29.2 x 14.7 cm)
Flame Rating	UL 94-5V
Cable Feed	1/2" Cable Conduit Connector
Ratings*	NEMA 4X / IP65

*Note: Enclosure ports (Cable conduit connector and N-type holes for lightning protectors or connectors) must be properly sealed to maintain NEMA 4X / IP65 rating.

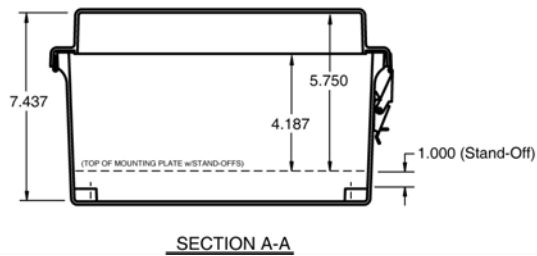
Model: NB141207-01

Enclosure Dimensions

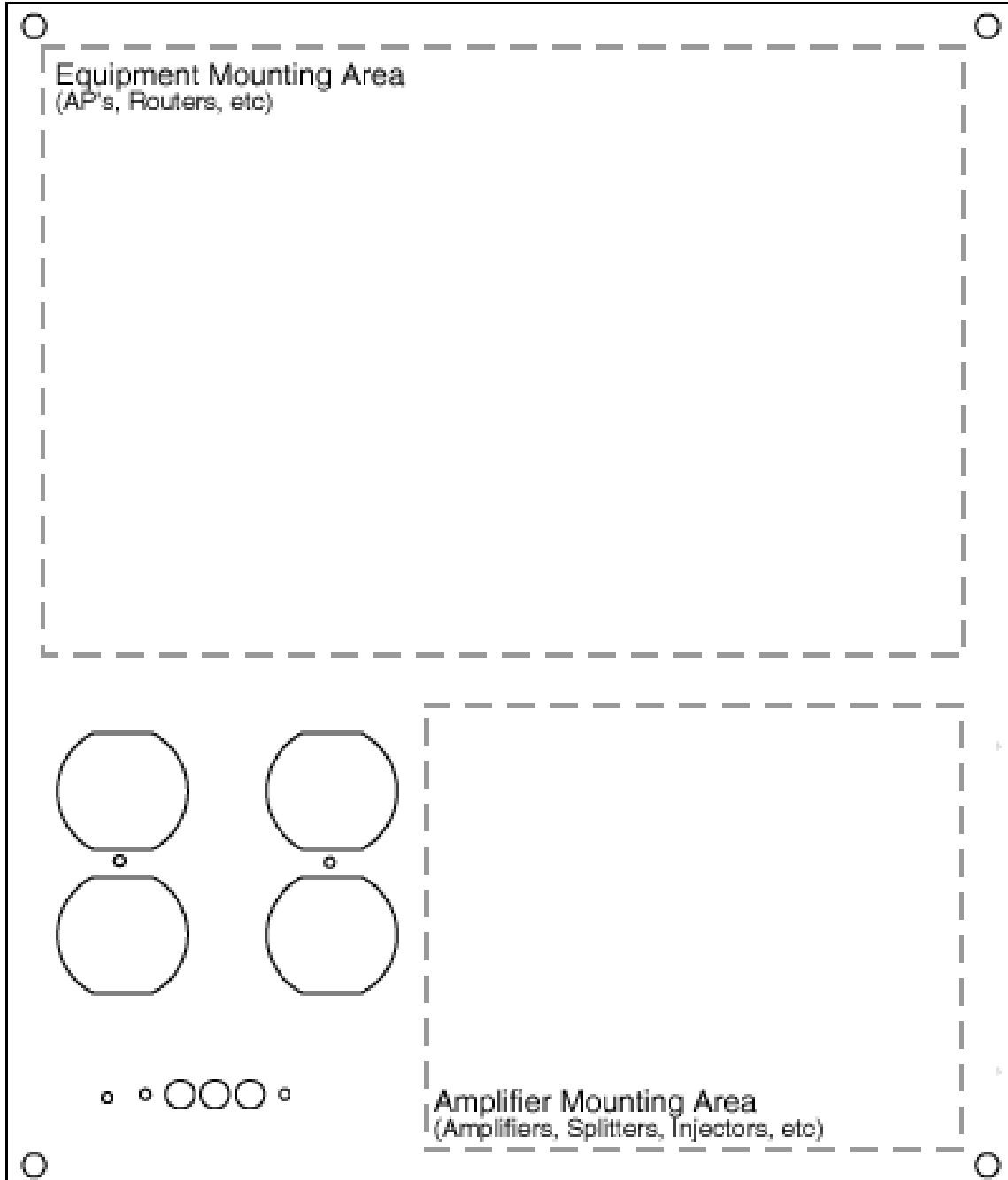


Notes:

- 1) Features shown may not be on all enclosure models
- 2) All dimensions in inches.



Mounting Plate

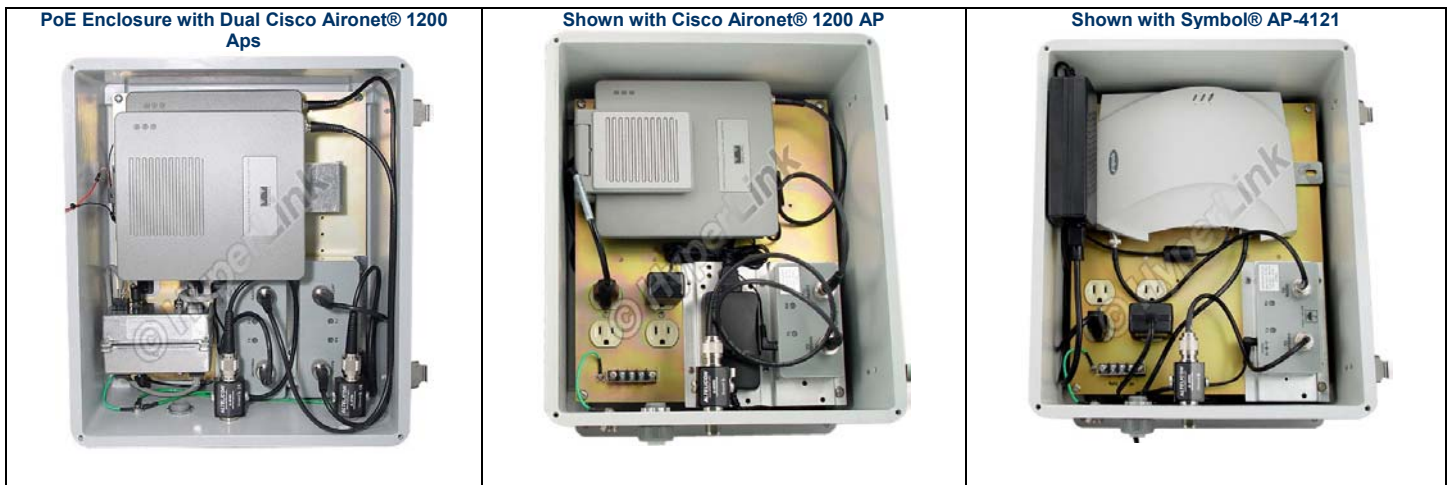


Enclosure Sizes: 12" x 10" x 5" (30.4 x 25.4 x 12.7 cm), Part Number **NB121005-xxx**
 14" x 10" x 4" (35.5 x 25.4 x 10.1 cm), Part Number **NBP141004-xxx**
 14" x 12" x 7" (35.5 x 30.4 x 17.7 cm), Part Number **NB141207-xxx**
 18" x 16" x 8" (45.7 x 40.6 x 20.3 cm), Part Number **NB181608-xxx**

Model Options	Enclosure with	Vented Enclosure with	Enclosure with Heat	Enclosure with Cooling Fan	Enclosure with Cooling Fan & Heat
110 VAC	NB141207-100 NBP141004-100 NB181608-100	-	NB141207-1H0 NB181608-1H0	NB141207-10F NB181608-10F	NB141207-1HF NB181608-1HF
Power-Over-Ethernet	NB141207-400 NB181608-400	NB181608-40V	-	NB141207-40F NB181608-40F	-
12 VDC	NB141207-500 NB181608-500	NB181608-50V	-	NB141207-50F NB181608-50F	-
Sub-Zero Applications	-	-	NB141207-4H0	-	-
No Mounting Plate	NB141207 NB181608	-	-	-	-
Mounting Plate	NB141207-01 NB181608-01	NB141207-00V NB181608-00V	-	-	-

Additional Enclosure Models

Configuration Examples



Shown with D-Link® DI-624 Wireless Broadband Router



Shown with Airespace® 1200 AP



Shown with Nortel Networks® 2230 AP

